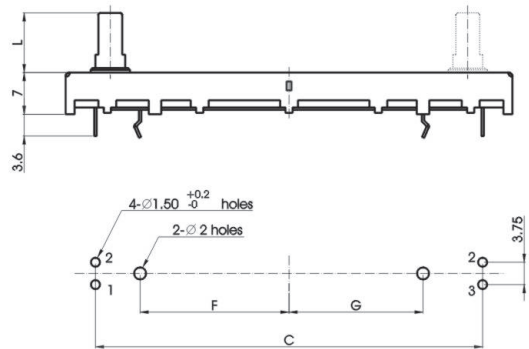
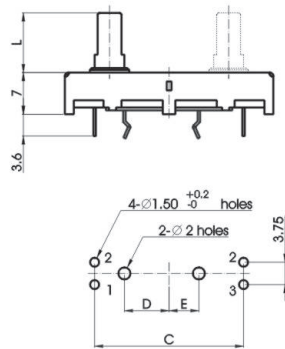


P.C.B. MOUNTING HOLE DETAIL



MODEL	T	A	B	C	D	E	F	G	Snap terminal style
S204□N	20	35	31	25	7.5	5	/	/	
S304□N	30	45	41	35	12.5	10	/	/	
S454□N	45	60	56	50	17.5	15	/	/	
S604□N	60	75	71	65	/	/	25	22.5	

LEVER TYPE

MATERIAL	Metal lever																						
LEVER TYPE	CH				D				C				B										
DIMENSIONS																							
LENGTH(L)	X	M			X	P	Q	R		X	A	B	E	C	D		X	J					
	L	10.4			L	10	15	20		L	10	15	17.3	20	25		L	15					
	F	7			F	7	10	10		F	7	10	10	10	10								

MATERIAL	Insulated lever												
LEVER TYPE	C				B				D				
DIMENSIONS													
LENGTH(L)	X	1	3		X	5	4	6		X	7	8	9
	L	10	15		L	5	10	15		L	10	15	20

Mechanical characteristics: 機械的性能

Operating force 作動力	0.2~2N(20~200gf)
Stopper strength 作動停止強度	50N(5kgf) {measuring point=5mm}
Lever wobble 柄の晃動	2(2*L)/20 mm max. (L:Lever length both side) L: 兩側柄長
Bending moment 瞬間彎曲	25mN.m(250gf.cm)
Push pull strength 軸推拉強度	30N (3kgf)
Click slip-out force C.C脫出力	0.3~2.5N(30~250gf)
Lever deviation 柄の偏心率	0.5 max. (one side) 單側

Electrical characteristics:電氣的性能

Total resistance 總阻值		$5K\Omega \sim 2M\Omega$						
Total resistance tolerance 總阻值容許差		$\pm 20\%$ more than $1M\Omega$ $\pm 30\%$						
Resistance taper 阻值線性		A,B,C,D,K,W,RD						
Insulation resistance 絕緣抵抗		$100M\Omega$ min. at 250V DC.						
Withstand voltage 耐電壓		AC 300V (1 minute)						
Rated power 定格電力 (w)	Taper Travel		20 mm	30 mm	45 mm	60 mm		
	B	Single	0.1	0.2	0.25	0.2		
	Except B (B以外)	Single	0.05	0.1	0.125	0.1		
Max. operating voltage (AC V) 最高使用電壓	B		200	200	200	200		
	Except B (B以外)		150	150	150	150		
Residual resistance 殘留阻值	Total resistance 總阻值		10K Ω	50K Ω	100K Ω	200K Ω	500K Ω	1M Ω
	Between terminals 1-2 端子 1-2 間		10 Ω	10 Ω	10 Ω	20 Ω	20 Ω	20 Ω
	Between terminals 2-3 端子 2-3 間		10 Ω	10 Ω	20 Ω	20 Ω	50 Ω	50 Ω

Durability:耐久的性能

Sliding life 滑動壽命	15,000 cycles
-----------------------------	---------------